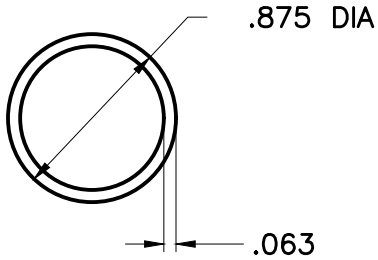


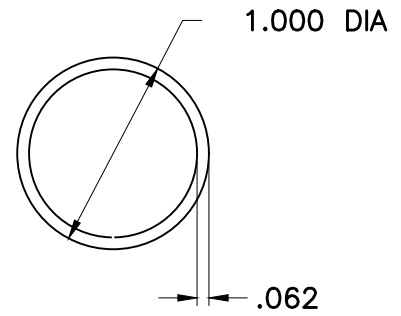
**8169**



.875" ROUND TUBE

WT/FT: .192

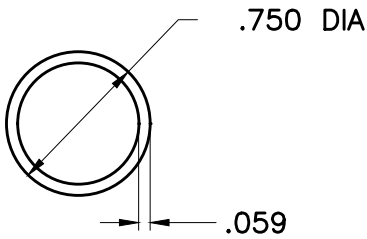
**8747**



1" DIA X .062" TUBE

WT/FT: .220

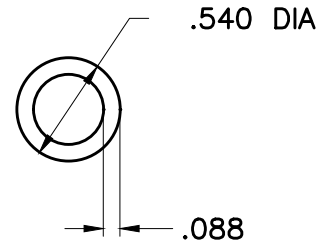
**9009**



3/4 DIA X .059W PIPE

WT/FT: .154

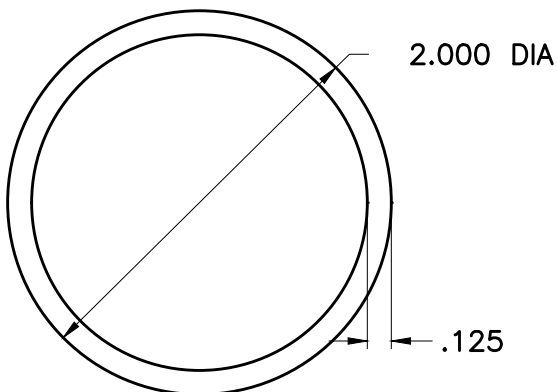
**9010**



1/4" pipe SCH 40

WT/FT: .150

**8829**



2" OD X .125 W  
TUBE ROUND

WT/FT: .883