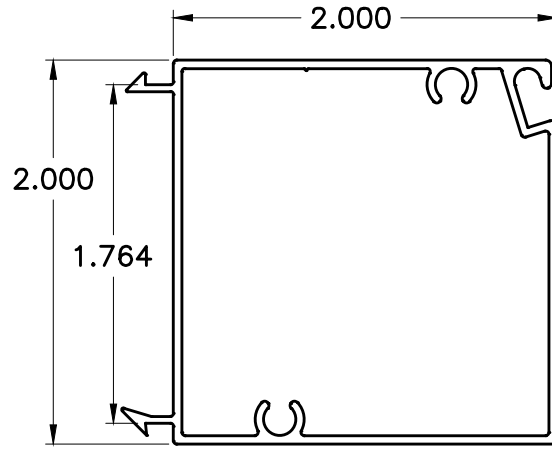


**1686**

2 x 2 PATIO BEAM

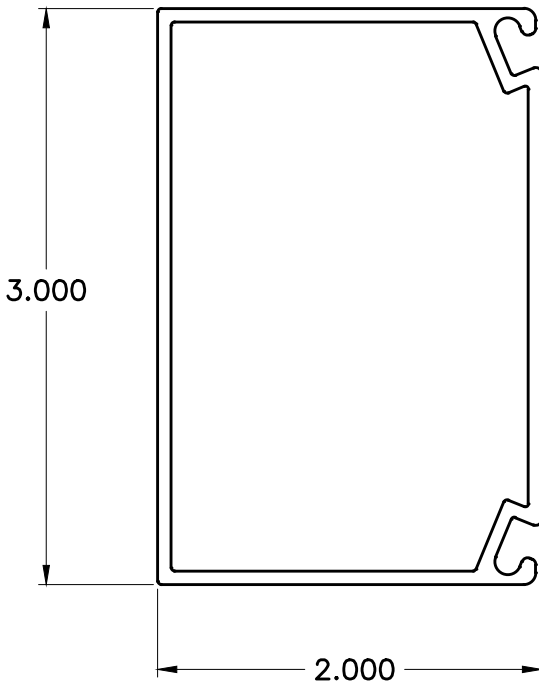
WT/FT: .499



**8790**

2 X 2 X .044W  
PERIMETER SNAP

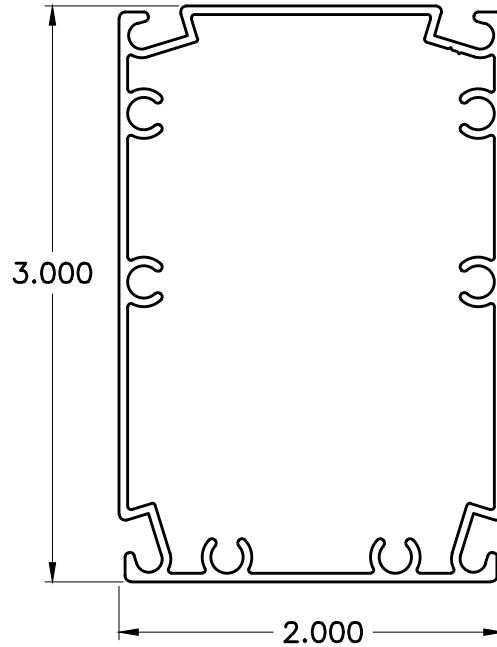
WT/FT: .504



**8354**

3 X 2 PATIO W  
SPLINES

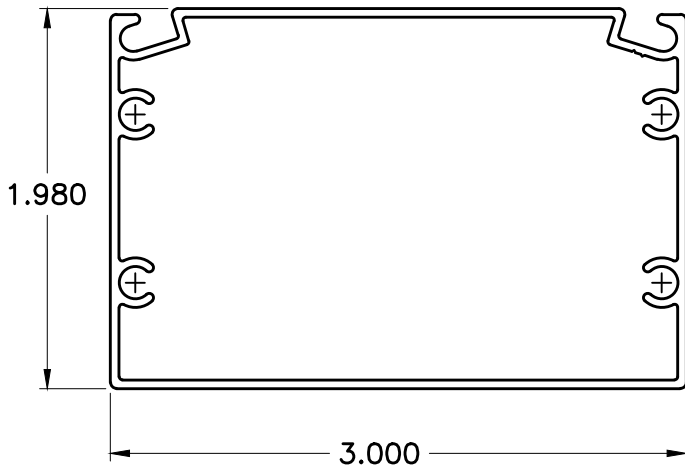
WT/FT: .859



**8407**

2 X 3 X .045W  
PATIO SHAPE

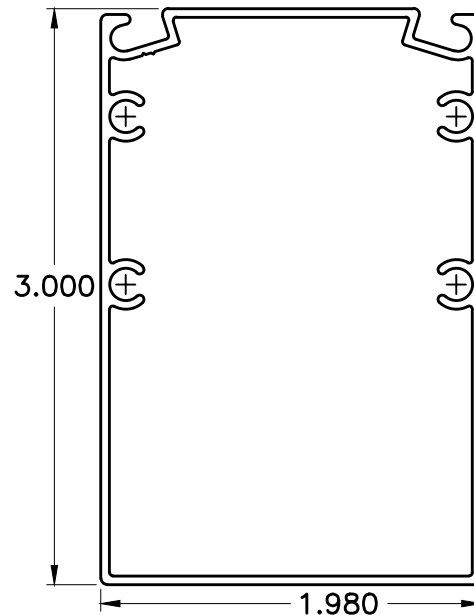
WT/FT: .725



**8471**

3 X 2 PATIO

WT/FT: 639



**9120**

2 X 3 PATIO

WT/FT: 652