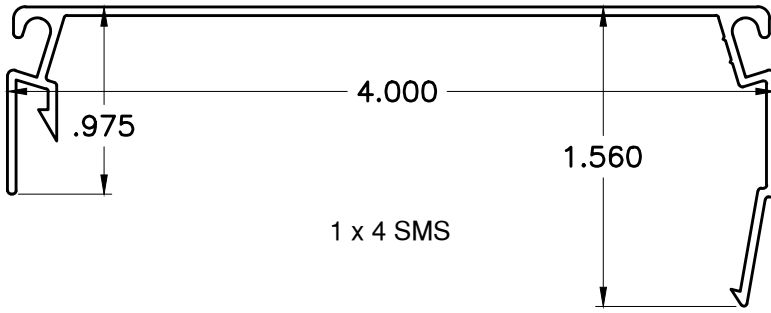


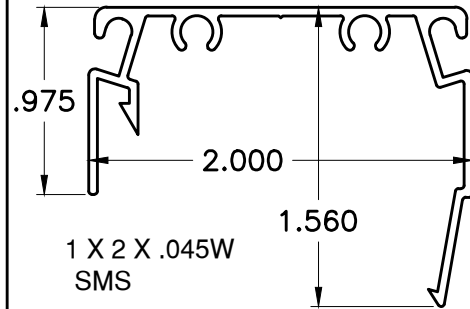


8330



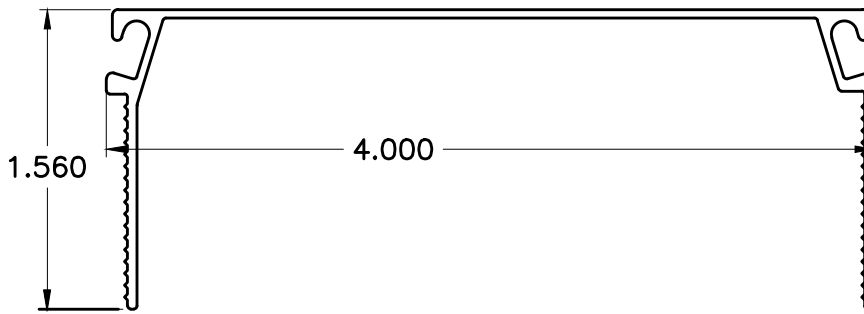
WT/FT: .414

8795



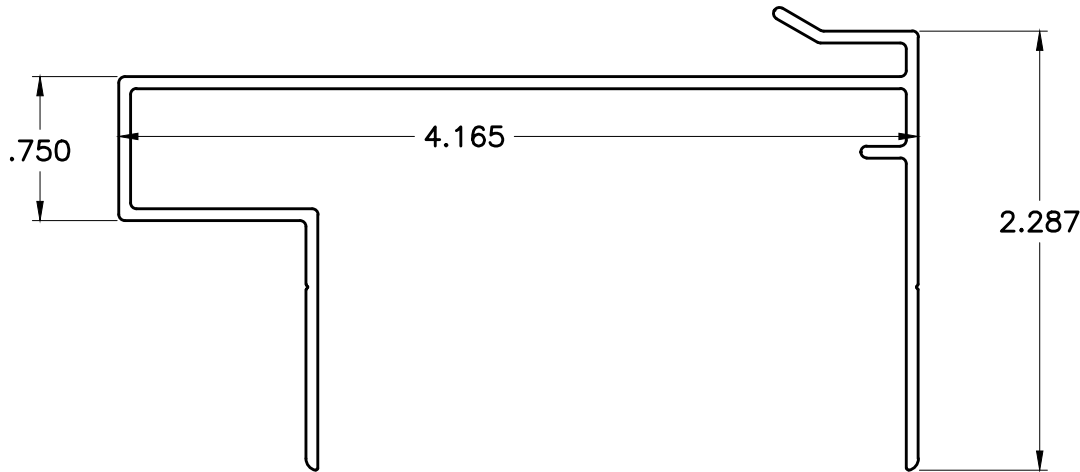
WT/FT: .348

9126



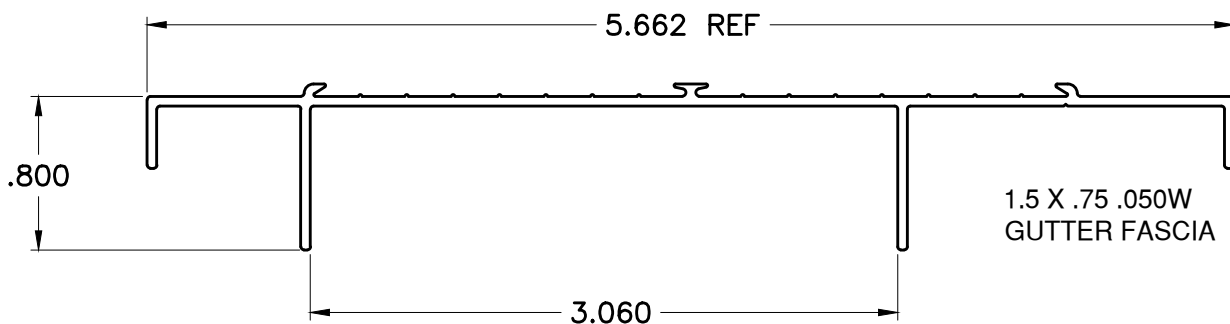
WT/FT: .445

9044



WT/FT: .766

8379



WT/FT: .490