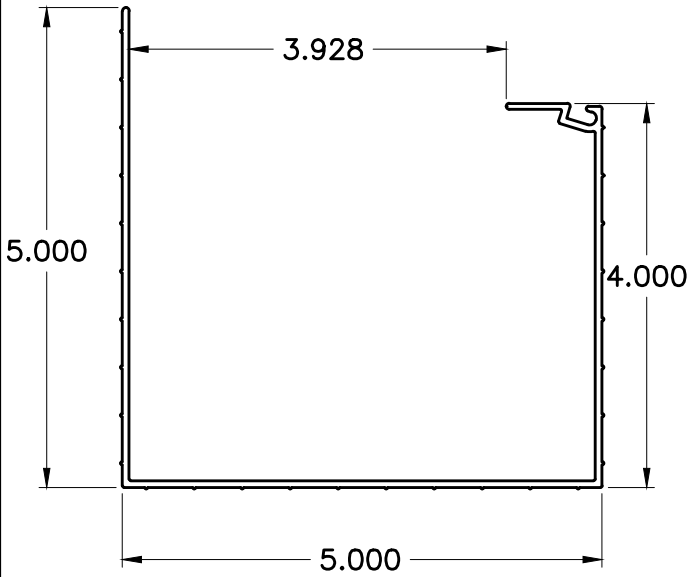




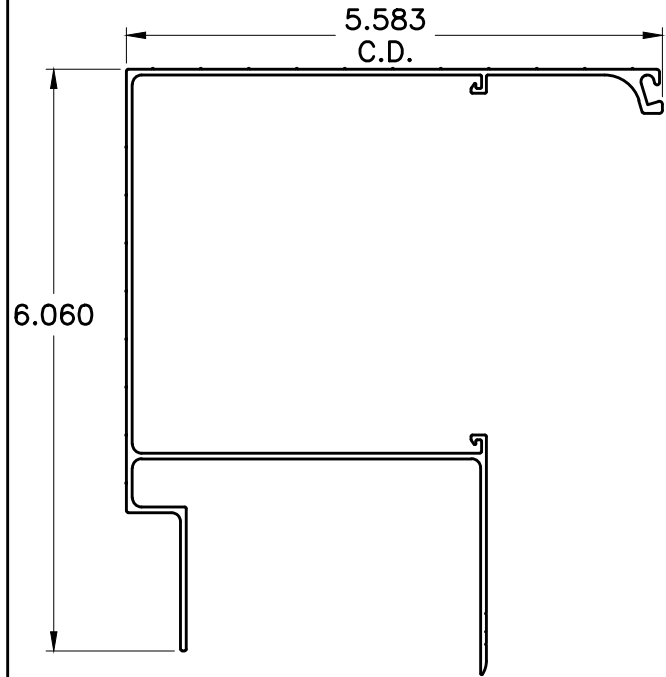
**8357**



**5" SUPER GUTTER**

**WT/FT: 1.280 (NOT TO SCALE)**

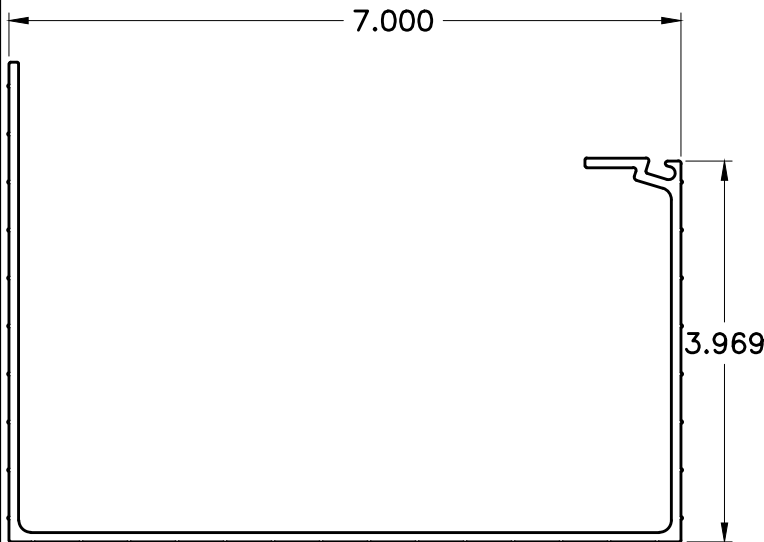
**8898**



**3" PANEL RECEIVING GUTTER**

**WT/FT: 1.438 (NOT TO SCALE)**

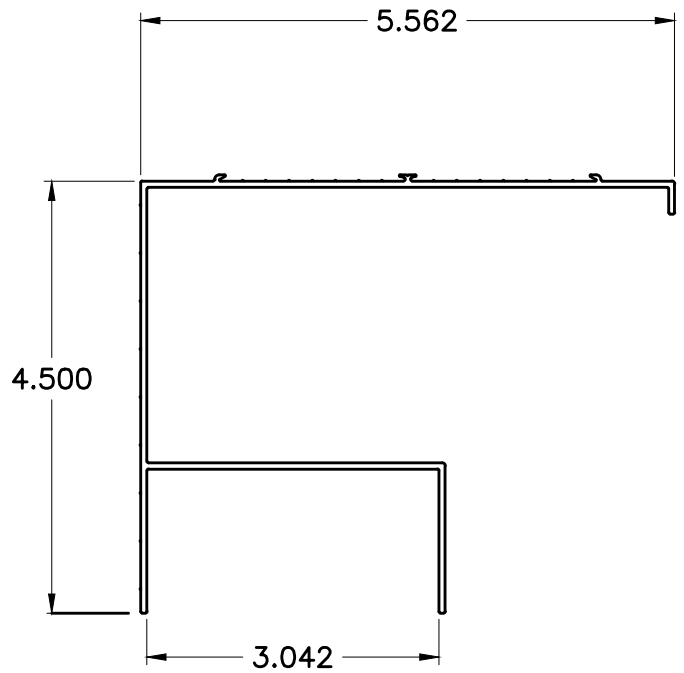
**6184**



**7 X 5 X .100W SUPER GUTTER**

**WT/FT: 2.050 (NOT TO SCALE)**

**8612**



**3" RECIEVER GUTTER**

**WT/FT: 1.182 (NOT TO SCALE)**